

UKK Power Distribution Box

- 95% contact
- Flame retardant: UL94 V0
- Nickel-plated copper conductor: copper cable or aluminum cable
- The maximum withstand short-circuit current can reach 100KA
- Comply with ROHS,CE
- Flexible busbars can be directly inserted into the connection(UKK 500A)
- Flexible busbars can be inserted and connected with flat Connectors (UKK 250A&UKK 400A)

Screw guide hole
Blue transparent cover

Hinged and removable cover

Nickel-plated copper conductor

IP 20 anti-electric shock safety type

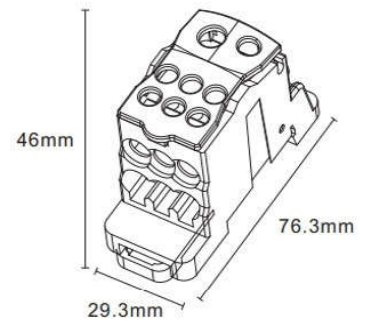
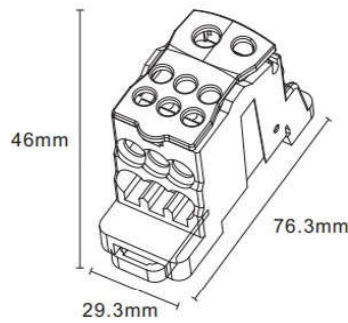
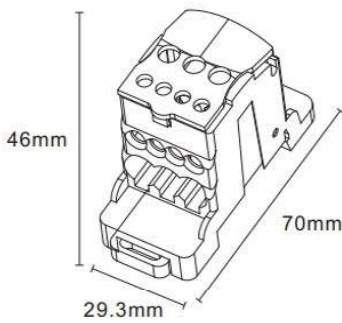
Easy to clamp:
snap into DIN rail



Part No.	Order No.	Pcs/Pkt.
UKK80A	100401001	10
I=80 A IEC 60947-7-1		
I=85 Amp UL/CSA		
Icw KA rms Is:3	Ipk KA:22	
Ui:690V IEC	Vin:600V UL	
Installation hole distance:54mm		
Modularity: single stranded wire, can be expanded by jumper wire, and doubled neutral wire		

Part No.	Order No.	Pcs/Pkt.
UKK125A	100401002	10
I=125 A IEC 60947-7-1		
I=125 Amp UL/CSA		
Icw KA rms Is:4.2	Ipk KA:30	
Ui:690V IEC	Vin:600V UL	
Installation hole distance:64mm		
Modularity: single stranded wire, can be expanded by jumper wire, and doubled neutral wire		

Part No.	Order No.	Pcs/Pkt.
UKK160A	100401003	10
I=160 A IEC 60947-7-1		
I=200 Amp UL/CSA		
Icw KA rms Is:11.8	Ipk KA:30	
Ui:690V IEC	Vin:600V UL	
Installation hole distance:64mm		
Modularity: single stranded wire, can be expanded by jumper wire, and doubled neutral wire		



Metric wire gauge	mm ²	mm ²	Γ (N.m)
	6-16	x1	2.5
	2.5-16	x4	1.8
	2.5-16	x2	2.5

American wire gauge	AWG	Torque
	16-4	x1 17.5
	16-8	x4 10.6
	16-4	x2 17.5

Metric wire gauge	mm ²	mm ²	Γ (N.m)
	10-35	x1	4.0
	6-16	x1	2.5
	2.5-16	x6	2.5

American wire gauge	AWG	Torque
	8-1/0	x1 35
	14-4	x1 17.5
	14-4	x6 17.5

Metric wire gauge	mm ²	mm ²	Γ (N.m)
	10-70	x1	2.5
	6-16**	x1	1.8
	2.5-16	x6	2.5

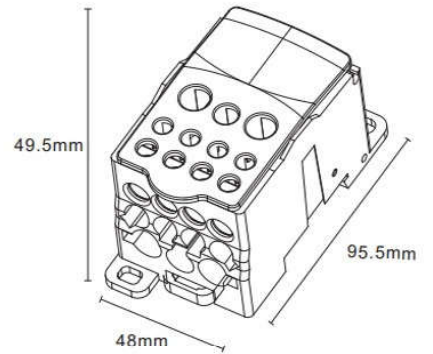
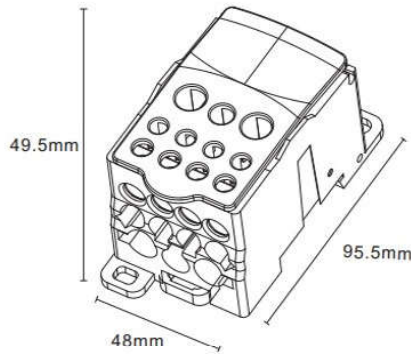
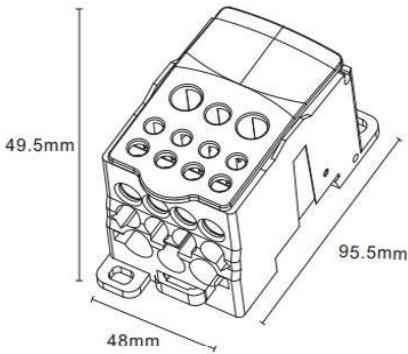
American wire gauge	AWG	Torque
	8-3/0	x1 17.5
	14-4	x1 10.6
	14-4	x6 17.5



Part No.	Order No.	Pcs/Pkt.
UKK250A	100401004	12
I=250 A IEC 60947-7-1		
I=255 Amp UL/CSA		
Icw KA rms Is:24.5	Ipk KA:51	
Ui:690V IEC	Vin:600V UL	
Installation hole distance:85x29mm		
Modularity: allows multiple combinations, can be used for single pole, two poles, three poles, four poles		

Part No.	Order No.	Pcs/Pkt.
UKK400A	100401005	12
I=400 A IEC 60947-7-1		
I=335 Amp UL/CSA		
Icw KA rms Is:24.5	Ipk KA:51	
Ui:690V IEC	Vin:600V UL	
Installation hole distance:85x29mm		
Modularity: allows multiple combinations, can be used for single pole, two poles, three poles, four poles		

Part No.	Order No.	Pcs/Pkt.
UKK500A	100401006	12
I=500 A IEC 60947-7-1		
I=520 Amp UL/CSA		
Icw KA rms Is:24.5	Ipk KA:51	
Ui:690V IEC	Vin:600V UL	
Installation hole distance:85x29mm		
Modularity: allows multiple combinations, can be used for single pole, two poles, three poles, four poles		



Metric wire gauge	mm ²	mm ²	Γ (N.m)
	35-120	x1	16
	6-35	6x25	4.0
	2.5-16	2.5x16	2.7
	2.5-10	2.5x10	2.5

American wire gauge	AWG	Torque
	6-250 Kcmil	201
	14-1	35
	14-4	24
	14-6	17.5

Metric wire gauge	mm ²	mm ²	Γ (N.m)
	95-185	x1	20
	6-35	6x25	4.0
	2.5-16	2.5x16	2.7
	2.5-10	2.5x10	2.5

American wire gauge	AWG	Torque
	3/0-400 Kcmil	221
	14-1	35
	14-4	24
	14-6	17.5

Metric wire gauge	mm ²	mm ²	Γ (N.m)
	4x15.5x0.8 ...8x24x1	4x15.5x0.8 ...8x24x1	2.5
	6-35	6x25	4.0
	2.5-16	2.5x16	2.7
	2.5-10	2.5x10	2.5

American wire gauge	AWG	Torque
	4x15.5x0.8 ...8x24x1	17.5
	14-1	35
	14-4	24
	14-6	17.5

UKK Distributor