

JWT 6011 Enclosure Internal Thermostat

IP20



- Bi-metal controller as a temperature sensitive element with thermal feedback.
- Contact population: Single-pole change-over contact as a quick-break contact.
- Permissible contact load:

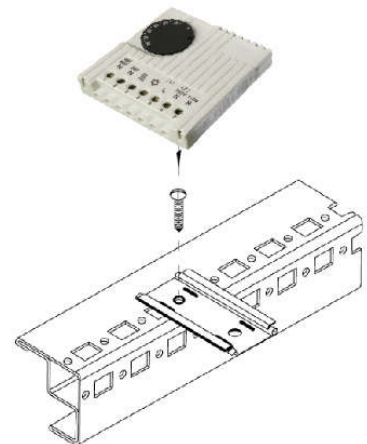
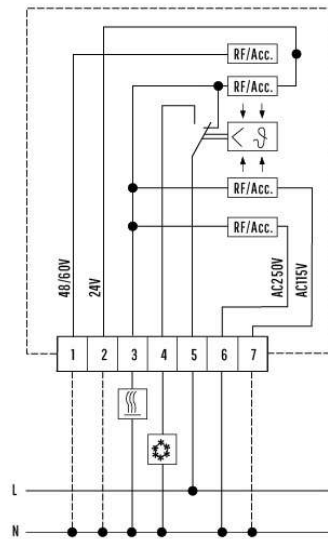
Cat. 5 - 3 (heating) AC 10 (4*) A, DC = 30 W Cat. 5 - 4 (cooling) AC 5 (4*) A,
 DC = 30 W * () = inductive load at cos phi = 0.6
 Setting range: 0 - + 60 °C

- Weight: 105g appr Size: 71x71x33.5mm Switch discrepancy: 1K ± 0.8K
- Voltage scope is wide, any type could be used from 24- 230 V
- Time-saving connection, terminal block could be installed screw from outside
- Easy installation, could be installed to 35mm din rail vertically or horizontally, according to EN50 022, it could be clipped to TS/35 cabinet profile with its accessory adapter.

Application Especially suitable for controlling fan-and-filter units, heaters and heat exchangers, this thermostat can also be used as a signal generator for monitoring the enclosure internal temperature.



Dimensions



Rated voltage: 230/115/60/48/24V (AC), 60/48/24V (DC)

48V/60V N	24V N			(L1*)L	(L2*)250V N	115V N
1	2	3	4	5	6	7

